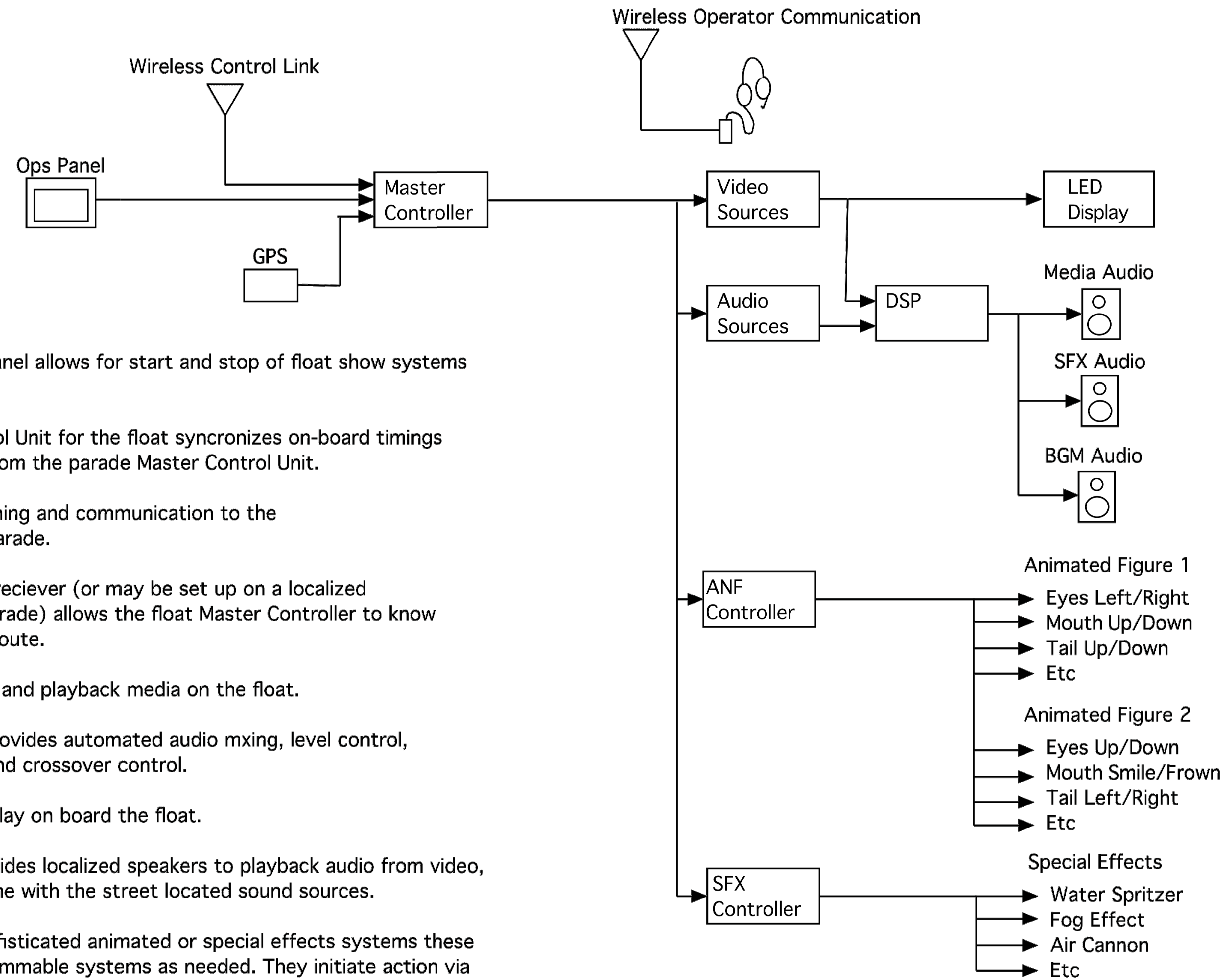


Hengqin Ocean Kingdom Parade: Audio Visual Show Control Design (AVC)



**Ops Panel:** Operator's control panel allows for start and stop of float show systems and maintenance functions.

**Master Controller:** Master Control Unit for the float synchronizes on-board timings with overall parade timings from the parade Master Control Unit.

**Wireless Control Link:** Allows timing and communication to the Master Control Unit for the Parade.

**GPS:** Global Positioning Satellite receiver (or may be set up on a localized version specifically for the parade) allows the float Master Controller to know where it is at on the parade route.

**Audio and Video Sources:** Store and playback media on the float.

**DSP:** Digital Signal Processing provides automated audio mixing, level control, equalization, delay, routing and crossover control.

**LED Display:** Provides video display on board the float.

**Media, SFX and BGM Audio:** provides localized speakers to playback audio from video, sound effects, or music in time with the street located sound sources.

**ANF and SFX Controllers:** For sophisticated animated or special effects systems these provide independently programmable systems as needed. They initiate action via triggers from the Float Master Controller and control the actual functions of the figures or special effects. In floats with simple requirements, these may be deleted, with the functions being controlled directly from the Float Master Controller.

**NOT FOR CONSTRUCTION**



PROJECT:

HENQIN OCEAN KINGDOM

CLIENT:

Zhuhai Chimelong Investment and Development Co., Ltd.  
Chimelong Office G1,  
Fuxiang Bay, Hengqin New District  
Zhuhai 519031, People's Republic of China

CONSULTANT:

**NOTICES:**

THESE PARADE DESIGN DOCUMENTS ARE FOR DESIGN INTENT PURPOSE ONLY AND NOT FOR CONSTRUCTION.

ANY PROJECT ARCHITECTURAL DESIGN, ENGINEERING, CONSTRUCTION, COMMISSIONING, AND COMPLIANCE WITH LOCAL LIFE SAFETY AND BUILDING CODES SHALL BE PROVIDED AND PERFORMED BY LOCALLY LICENSED PROFESSIONALS.

THE DATA IN THIS DOCUMENT INCORPORATE PROPRIETARY RIGHTS OF THE HETTEMA GROUP, 67 VALLEY STREET PASADENA, CA 91105. ANY PARTY ACCEPTING THIS DOCUMENT DOES SO IN CONFIDENCE AND AGREES THAT IT SHALL NOT BE DUPLICATED, IN WHOLE OR IN PART, OR BE DISCLOSED TO OTHERS, WITHOUT THE PRIOR WRITTEN CONSENT OF THE HETTEMA GROUP, INC. AND

ZHUHAI CHIMELONG INVESTMENT AND DEVELOPMENT CO., LTD. CHIMELONG OFFICE G1, FUXIANG BAY, HENQIN NEW DISTRICT ZHUHAI 519031, PEOPLE'S REPUBLIC OF CHINA

**FINAL DESIGN PACKAGE UPDATE PROGRESS PLOT**

ISSUE DATE	DESCRIPTION
11-OCT-2012	CONCEPT DEVELOPMENT

DRAWING TITLE:

**AVC SHOW CONTROL DIAGRAM**

SHEET NO.

**SK-001**